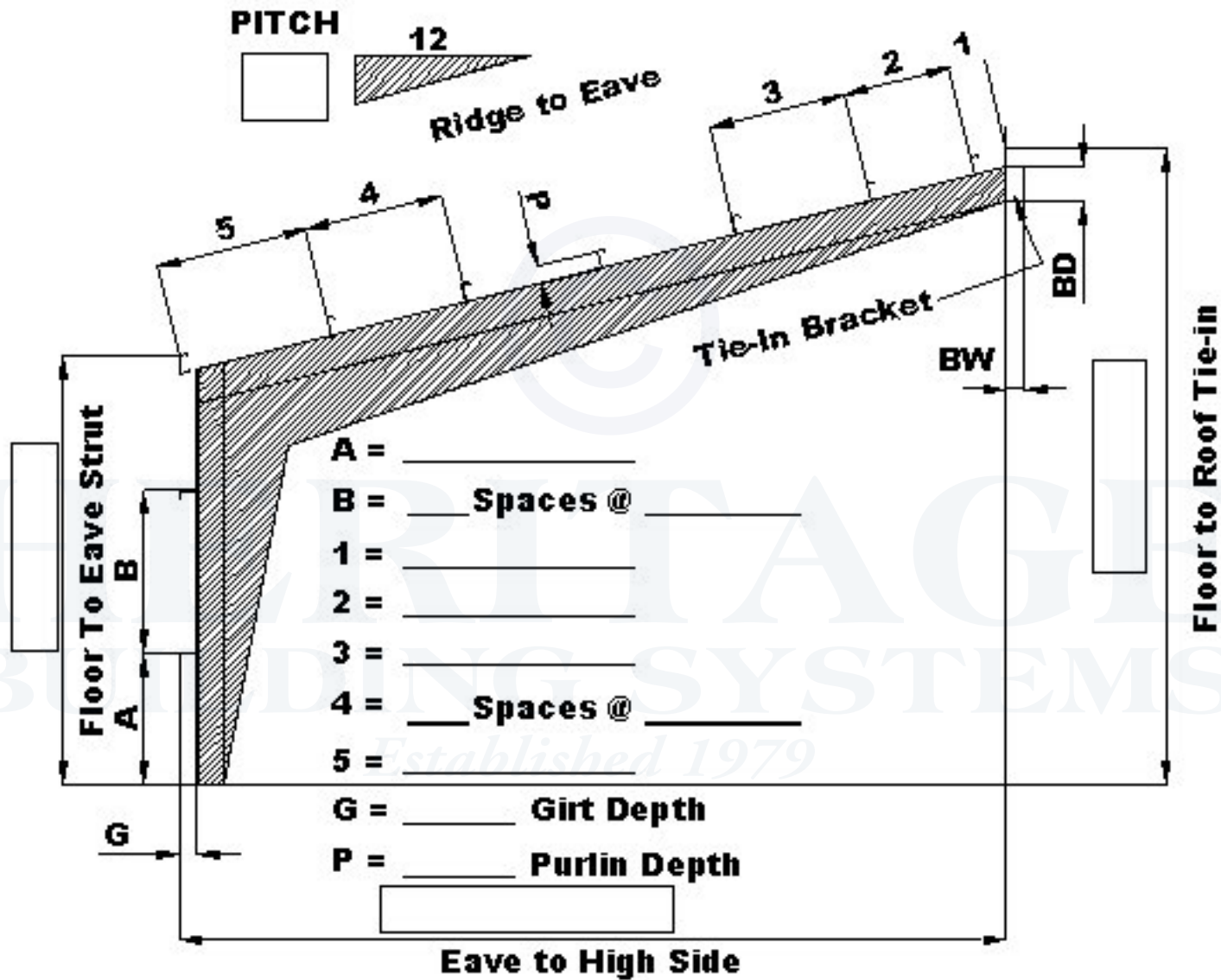


Job (Quote) No. : \_\_\_\_\_

Page \_\_\_\_\_ of \_\_\_\_\_

Builder/Customer: \_\_\_\_\_

Date: \_\_\_\_\_



1. Roof Panel Profile = \_\_\_\_\_
2. Roof Panel Depth = \_\_\_\_\_
3. Wall Panel Profile = \_\_\_\_\_
4. Wall Panel Depth = \_\_\_\_\_
5. Building Length = \_\_\_\_\_
6. Building Manufacture = \_\_\_\_\_ Job No.: \_\_\_\_\_ Year: \_\_\_\_\_

7. Common wall to be removed: No  Yes

8. Transition Flashing trim by NCI: No  Yes

9. Match existing trim profile: No  Yes  (provide sample or drawing)