

RIDGE MOUNTED STEEPLE DATA FORM

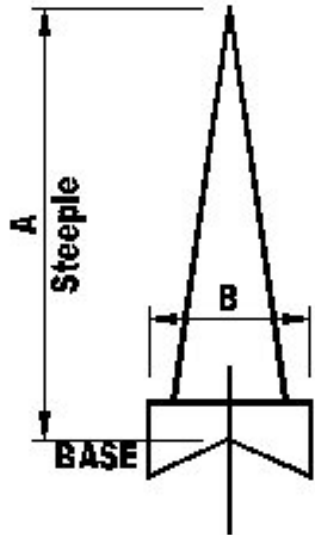
Form F00116 Revised Dec. 13

Job (Quote) No. : _____

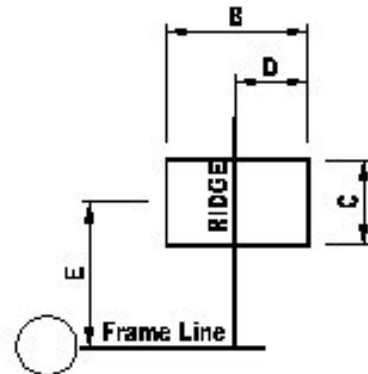
Page _____ of _____

Builder/Customer: _____

Date: _____



RIDGE STEEPLE



SQUARE
Or
RECTANGLE

_____ (ft-k) Overturning Moment

_____ (lbs) Weight

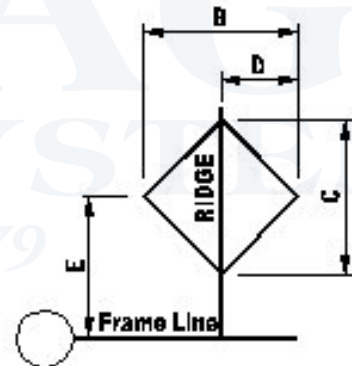
A. _____ Inches

B. _____ Inches

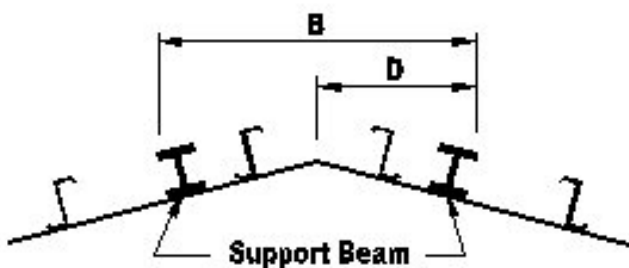
C. _____ Inches

D. _____ Inches

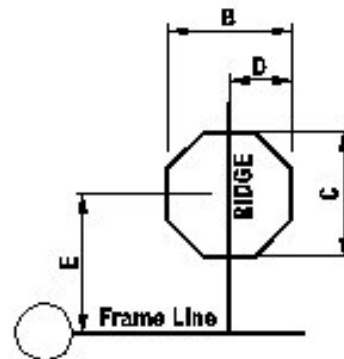
E. _____ Inches



ROTATED SQUARE



STEEPLE SUPPORTS



OCTAGON