

SLOPE MOUNTED STEEPLE DATA FORM

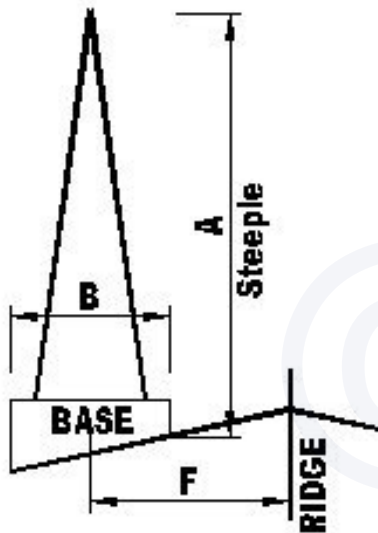
Form F00116 Revised Dec. 13

Job (Quote) No. : _____

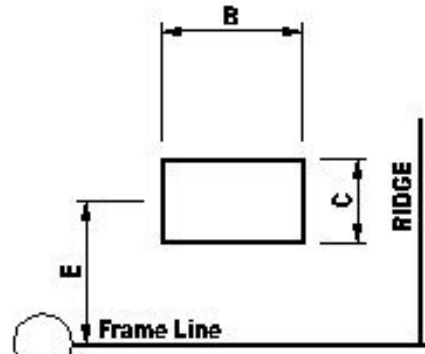
Page _____ of _____

Builder/Customer: _____

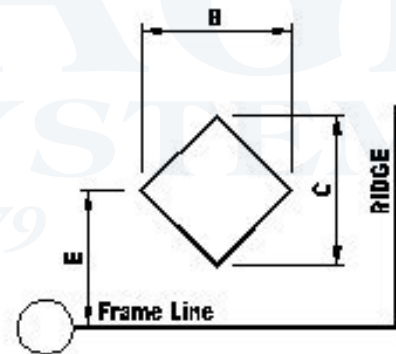
Date: _____



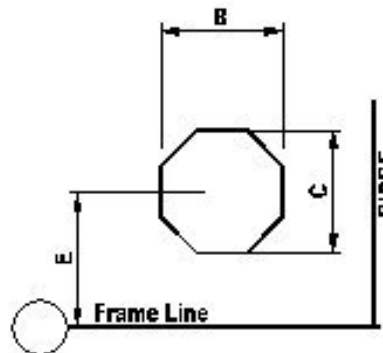
RIDGE STEEPLE



**SQUARE
Or
RECTANGLE**



ROTATED SQUARE



OCTAGON

_____ (ft-k) Overturning Moment

_____ (lbs) Weight

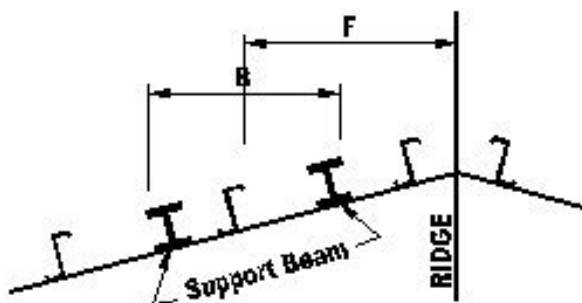
A. _____ Inches

B. _____ Inches

C. _____ Inches

E. _____ Inches

F. _____ Inches



STEEPLE SUPPORTS