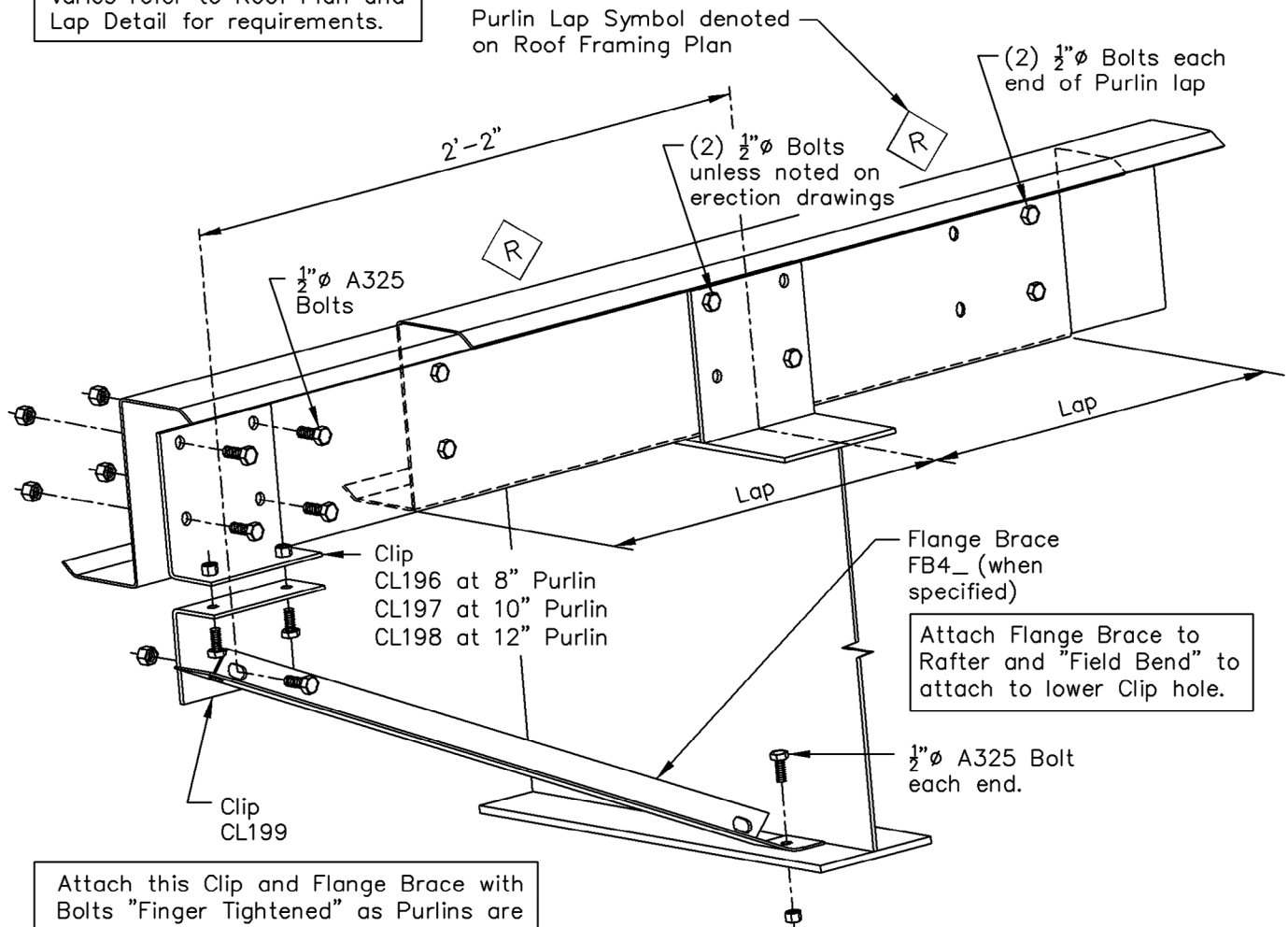


## For Purlin to Rafter

**Erection Note**

Lap and attachment of Purlin varies refer to Roof Plan and Lap Detail for requirements.



Attach this Clip and Flange Brace with Bolts "Finger Tightened" as Purlins are erected to maintain stability. Un-bolt Clip to install Vapor Barrier Membrane (Not by Bldg. Mfr.). Pierce Membrane for Clip bolts and reattach clip. Fully tighten bolts via pretensioning method specified per job.

**Erection Note**

Flange Braces may be required one or both sides of Rafter.  
For requirements, and locations at Main Frame and Rigid Frame in Endwall refer to "Cross Section".  
For requirements, and locations at Bearing Frame Endwall refer to "Roof Plan".

Call **800.643.5555** with questions.

