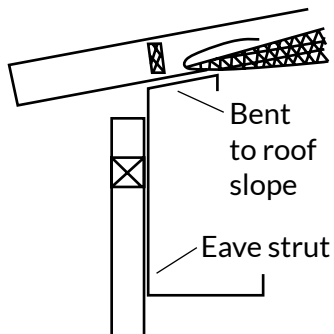


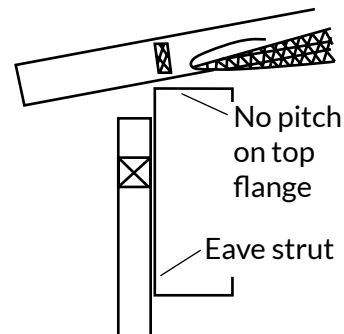
With this many fasteners drilling through your roof panels into your eave member, which would you rather have?

A Heritage Eave Strut



or

A "C" Channel



Quality material and attention to detail make all the difference.

Call 800.643.5555 with questions.

